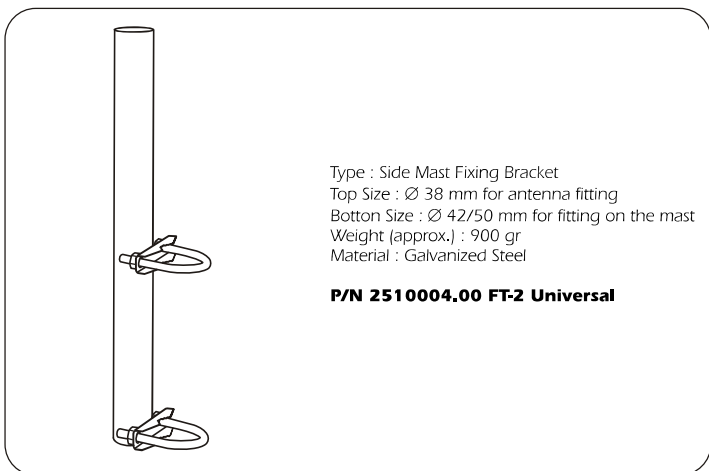
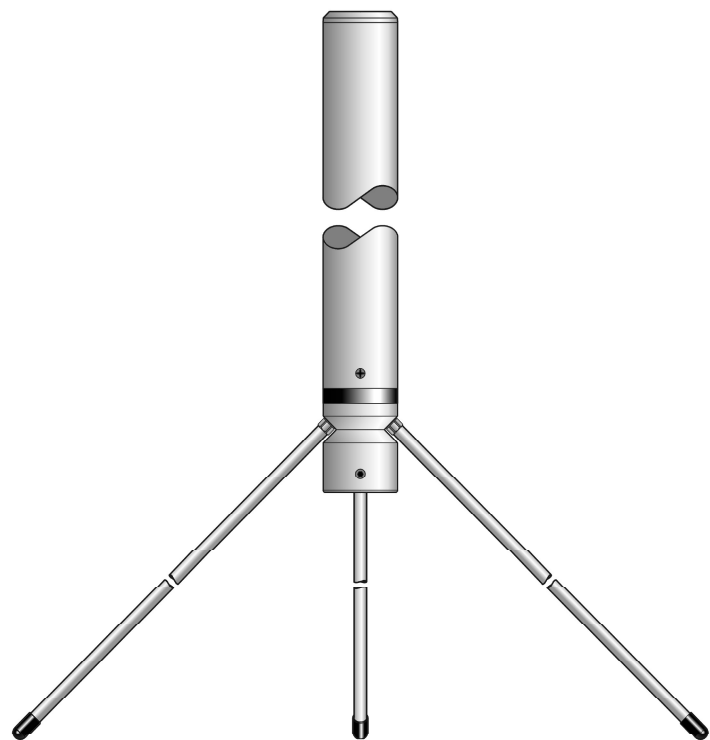


OPTIONAL FT-2 FIXING BRACKET



GP 160 LB
VHF Base Station Antenna 145-175 MHz



DESCRIPTION

1/4 λ wide-band antenna for base station service covering the frequency range of 145-175 MHz. It has been developed according to the most modern technologies to assure a perfect protection against the worst atmospheric climates and to get the best performance. It is entirely made of aluminium to assure strength and robustness and its radial whip is earthed. Its 30 MHz bandwidth makes it particularly recommended for relay stations or two-party systems.

SPECIFICATIONS

Electrical Data

Type : 1/4 λ Ground Plane Large Band
 Frequency Range : 145-175 MHz @ SWR \leq 2
 Impedance : 50 Ω
 Radiation (H-plane) : 360° omnidirectional
 Radiation (E-plane) : Beamwidth @ -3 dB = 78°
 Radiation Angle : 0°
 Polarization : Linear Vertical
 Gain : 0 dBd - 2.15dBi
 Max Power (CW) @ 30° C : 1000 Watts
 Grounding Protection : All metal parts are DC-grounded, the inner conductor shows a DC-short

Connector type : UHF Female with gold plated central pin
 GP 160 LB - U : N Female with gold plated central pin and PTFE insulator
 GP 160 LB - N :

Mechanical Data

Material : Anodized Aluminium, Nylon, Stainless Steel
 Wind Load / Resistance : 43N @ 150 Km/h / 160 Km/h
 Wind Surface : 0.04 m²
 Height (approx.) : 700 mm
 Weight (approx.) : 1150 gr
 Radial Length (approx.) : 520 mm
 Mounting Mast : \varnothing 36-40 mm

MOUNTING INSTRUCTIONS

Part list	
Q.ty	Description
1	Main radiator with connector
3	\varnothing 10 mm Aluminium radials
3	PVC cap for aluminium radials
2	M8x10 Hexagon socket screw
1	4mm Allen key

Mounting needed tools:	
n. 1	11 mm open key

